

# winterhalter

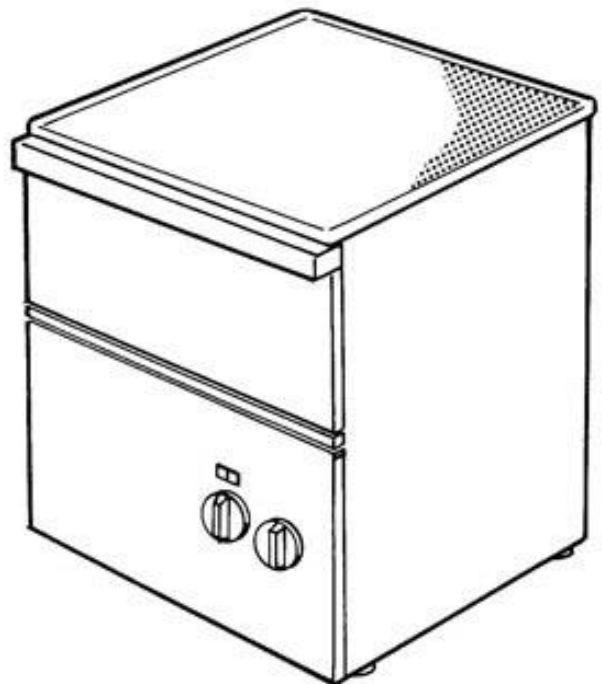
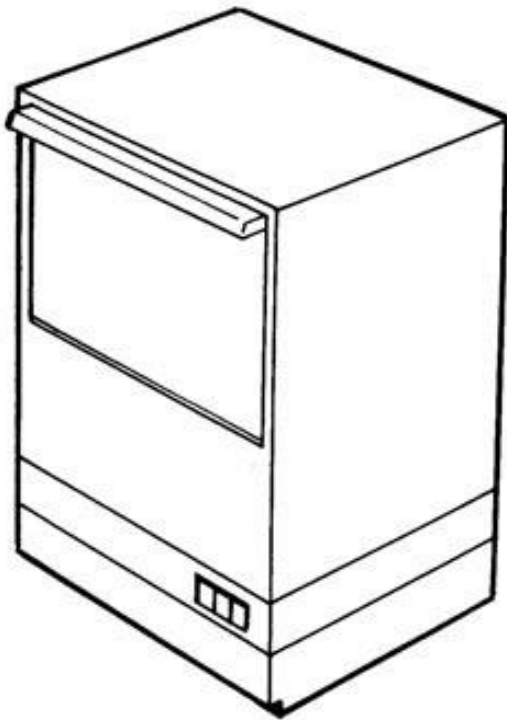
## Spare Parts List

### GS 4 / GS 25

Edited 4/79

Revised 08/98

Part no. 89001321



## Summary

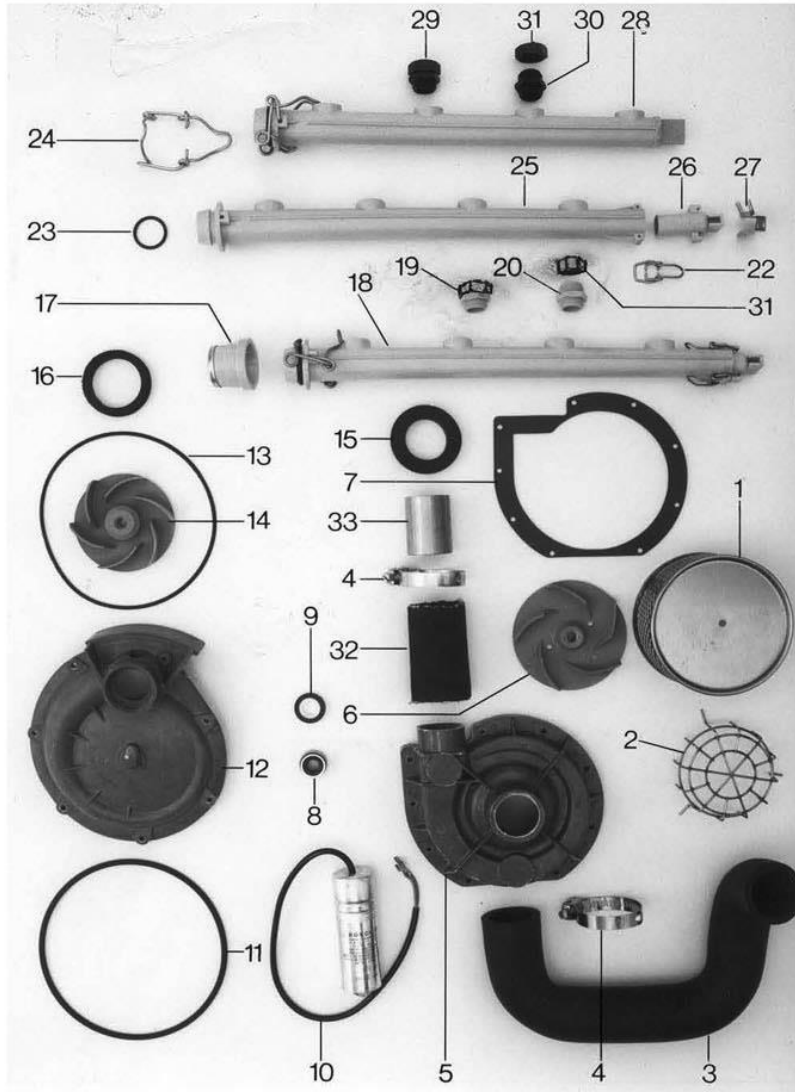
Wash system	Page 1 and 2
Water supply, water drain, tank heating	Page 3 and 4
Boiler and rinsing	Page 5 and 6
Electrical parts	Page 7 and 8
Door, frame, panel	Page 9 and 10

The parts marked ★ are also contained in other spare parts lists.

Racks and accessories see separate list.

**GS 4 / 25**

**Waschsystem  
Wash system  
Système de lavage**

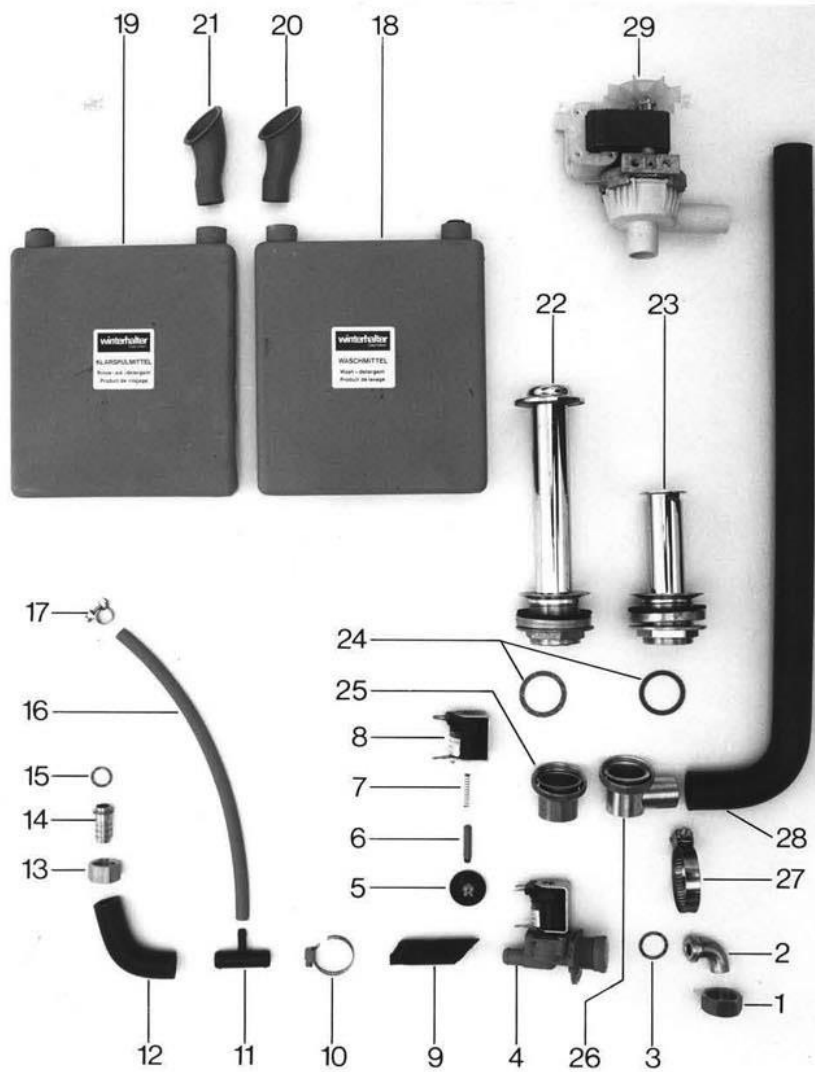


## GS 4 / 25 - Wash system

Pos.	Designation	Part no.	4	25	Notes
1	Pump filter	55 13 003		x	
n.p.	Pump filter	55 13 019	x		
2	Suction basket	55 13 113 ★		x	
3	Rubber elbow	40 03 021		x	
4	Hose clip 32-52	28 02 110 ★		x	
n.p.	Pump plastic 0,55 kW 220 V	31 02 276 ★		x	
n.p.	Pump plastic 0,55 kW 240 V	31 02 276 ★		x	
5	Pump housing	31 02 200 ★		x	
	Impeller	31 02 201 ★		x	
7	Seal	31 02 203 ★		x	
8	Motor shaft seal	27 10 015 ★	x	x	
9	Counter-ring	27 10 020 ★	x	x	
10	Capacitor 1,25 $\mu$ F	31 13 028 ★	x	x	
n.p.	Pump plastic 220 V 0,25 kW	31 02 332	x		
n.p.	Pump plastic 240 V 0,25 kW	31 02 040	x		
11	O-ring 155 x 5	27 07 024	x		
12	Pump housing	31 02 215	x		
13	O-ring (for pump)	31 02 216	x		
14	Impeller	31 02 217	x		
15	Rubber bushing	40 07 014		x	
16	Rubber bushing	40 07 030	x		
17	Coupling nut	35 01 006 ★	x	x	
18	Wash arm	55 07 055		x	without jets
19	Wash jet cpl. black/grey	29 10 528 ★		x	
20	Wash jet base black	29 10 529 ★		x	
21	Wash jet cap $\varnothing$ 6	29 10 524 ★		x	
22	End piece lock	28 04 041 ★		x	
23	O-ring 27 x 4	27 07 016 ★	x	x	
24	Wash arm lock	28 04 040 ★	x	x	
25	Wash arm	35 01 007 ★		x	
26	End piece	35 01 089 ★		x	
27	Wash arm support	35 08 008 ★		x	
28	Wash arm	55 07 056	x		without jets
29	Wash jet black/black	29 10 527 ★	x		
30	Wash jet base black	29 10 529 ★	x		
31	Wash jet cap black $\varnothing$ 5	29 10 526 ★	x		
n.p.	Air chamber	55 04 024 ★		x	
32	Pump hose $\varnothing$ 38 x 4 x 75	55 07 008		x	
33	Pipe piece $\varnothing$ 38	28 14 318		x	
n.p.	Wash jet white $\varnothing$ 7	29 10 525		x	
n.p.	Wash jet black/white	29 10 538		x	
n.p.	Threaded nipple 3/4" x 18 lg.	30 12 303		x	for wash manifold
n.p.	Wash manifold	55 06 009		x	until 12/81
n.p.	Wash manifold	55 06 011		x	since 1/82

### GS 4 / 25

**Wasserzulauf, Wasserablauf, Tankheizung**  
**Water inlet, water drain, tank heating**  
**Amenée d'eau, écoulement d'eau, chauffage de la cuve**

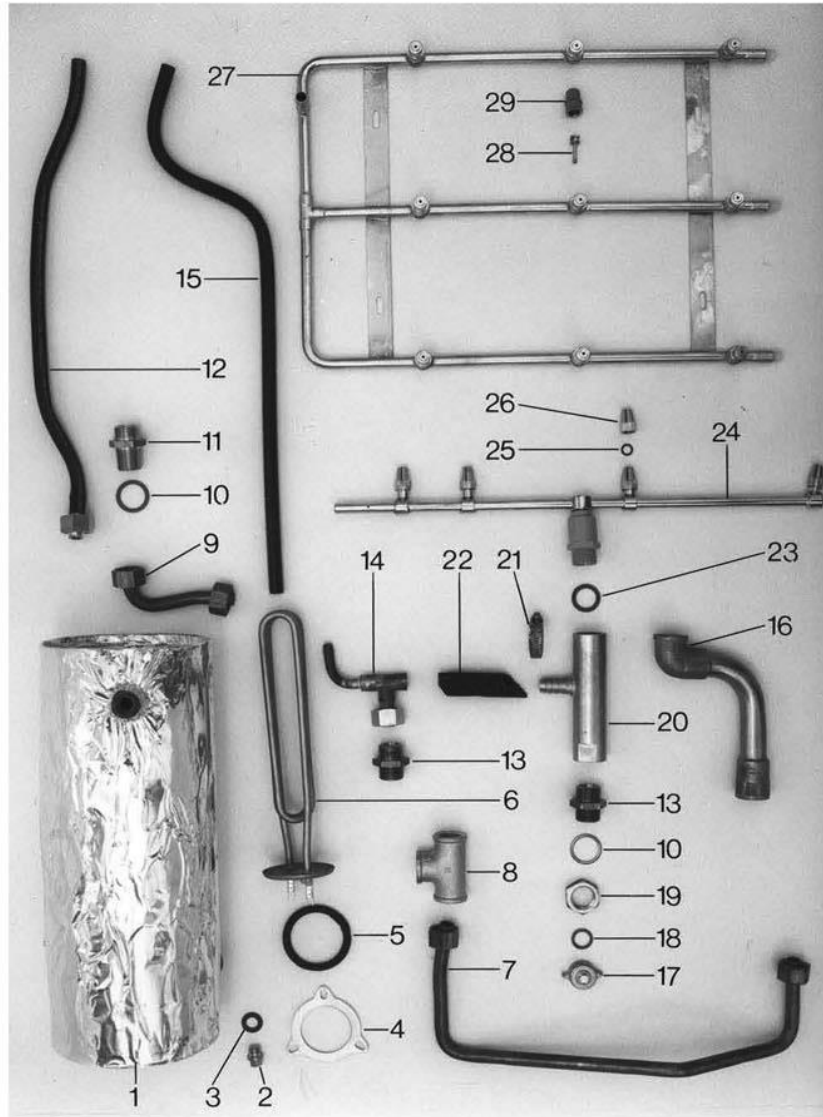


## GS 4 / 25 Water supply, water drain, tank heating

Pos.	Designation	Part no.	4	25	Notes
n.p.	Tank heating flange	31 03 054	x		
n.p.	O-ring	27 07 015	★	x	x
n.p.	Heating element 3 kW 220/380 V	31 03 027		x	
n.p.	Heating element 3 kW 240/420 V	31 03 029		x	
n.p.	Heating element 2,8 kW 380 V	31 03 039		x	
n.p.	Clamping plate	01 17 003	★		x
1	Coupling nut 3/4" BSP	29 07 203	★		x
2	Connection elbow	29 06 227	★		x
n.p.	Angle screwing	29 06 515			
3	Seal 19,5 x 24	27 09 010	★	x	x
n.p.	Heating element 2,8 kW 220 V	31 03 047			
4	Simple solenoid valve	31 06 044	★	x	x
5	Diaphragm	31 06 047	★	x	x
6	Plunger	31 06 073			
7	Spring	31 06 049	★	x	x
8	Coil 220-240 V/ 50-60 Hz	31 06 046	★	x	x
9	Reinforced hose 13 x 3,5	40 02 002	★	x	x per metre
10	Hose clip 14-22	28 02 301	★	x	x
11	T-piece black	35 01 086	★	x	x
12	Hose elbow	40 03 001	★	x	x
13	Coupling nut 1/2" BSP	61001946	★	x	x
14	Hose socket 1/2" BSP	29 06 213	★	x	x
15	Seal 18 x 13,3	27 09 012	★	x	x
16	Rinse aid hose	40 01 024	★	x	x
17	Hose clip ø 11	31 20 015	★	x	x
n.p.	ELT 10 Dispenser	80000554	★	x	x see sep. list
18	Detergent container right	35 02 008		x	1,3 l
19	Detergent container left	35 02 008		x	1,3 l
20	Filling funnel grey	40 07 025		x	
21	Filling funnel blue	40 07 026		x	
n.p.	Detergent container	55 25 011		x	x with cover
n.p.	Detergent container	55 25 012		x	x sticker „Detergent“
n.p.	Detergent hose	40 01 022	★	x	x per metre
n.p.	Hose clip ø 9	28 02 102	★	x	x
22	Stand pipe valve cpl. 130 mm	29 04 207		x	with bottom part
23	Stand pipe valve cpl. 80 mm	29 04 215		x	
24	Seal 38 x 30 ø	27 09 031	★	x	x
25	Soldered screwing	29 04 255	★		x
26	Soldered connect.f.drain pump	29 04 247	★	x	
27	Hose clip 32-52	28 02 110	★	x	x
28	Drain hose ø 24 x 4	40 03 033			
29	Drain pump	31 02 010	★	x	x parts see MA
n.p.	Drain hose grey	40 03 014	★	x	x shaped piece
n.p.	Tank heating element 220 V 2,8 kW	31 03 062		x	angled
n.p.	Tank heating element 220 V 1,6 kW	31 03 051		x	angled CH-exec.
n.p.	Tank heating element 240 V 1,6 kW	31 03 053		x	angled
n.p.	Standpipe plastic	29 04 231		x	

GS 4 / 25

Boiler und Nachspülung  
Boiler and rinsing  
Surchauffeur et rinçage



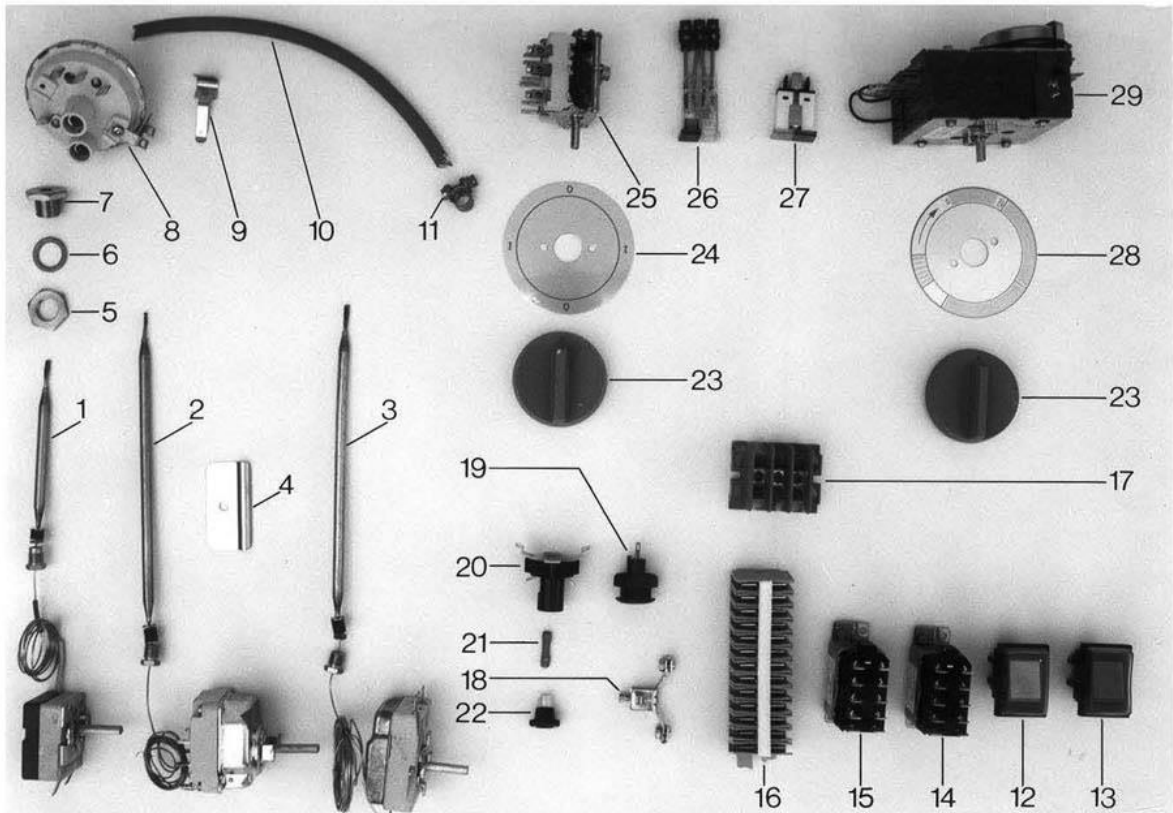
## GS 4 / 25 - Boiler and rinsing

Pos.	Designation	Part no.	4	25	Notes
n.p.	Boiler	55 12 007	x		since 4/82
1	Boiler	55 12 005	★	x	
n.p.	Boiler	55 12 001	x		until 4/82
2	Blanking cap M 10 x 1	20 01 352	★	x	x
3	Seal 15 x 8 ø	27 09 013	★	x	x
4	Clamping plate	01 17 003	★	x	x
5	O-ring	27 07 015	★	x	x
6	Heating element 2,8 kW 220 V	31 03 015	★	x	
n.p.	Heating element 2,8 kW 380 V	31 03 039	★		x
n.p.	Heating element 4,0 kW 220 V	31 03 037	★		x
n.p.	Heating element 2,8 kW 230 V	31 03 084			x
n.p.	Heating element 4,0 kW 380 V	31 03 035			x
7	Rinsing connection, long	55 11 040			x
8	T-piece 1/2"	30 04 100	★		x
9	Rinsing connection, short	62000506			x
10	Seal 27 x 21	27 04 006	★	x	x
11	Double nipple 1/2"	30 11 301	★		x
12	Rising pipe	55 11 041			x
13	Double nipple 1/2"	70000459	★	x	x
14	T-distributor	55 09 006		x	
15	Rising pipe	55 11 007		x	
16	Revolving arm support	29 06 237			x
n.p.	Revolving arm support	29 06 237			x since 1/82
17	Blanking cap 1/2"	29 07 204	★	c	
18	Seal 18 x 10	27 09 013	★	x	
19	Locking nut 1/2"	30 09 201		x	x
20	Revolving arm support	29 06 231		x	
21	Hose clip 14-22 mm	28 02 301	★	x	x
22	Reinforced hose ø 13	40 02 002	★	x	x per metre
23	Seal 28 x 21	27 09 011	★	x	x
24	Spray arm	55 10 096			x
25	O-ring ø 7	27 07 014		x	x
26	Spray jet cap	29 10 209	x	x	no more available, repl. by pos. 24
27	Top rinse pipe	55 10 017		x	
n.p.	Top rinse pipe	55 10 003			x
28	Spray jet swirl	65002764	★	x	x
29	Spray jet cap	65002765	★	x	x
n.p.	Grub-screw M 10	20 30 501	★	x	x
n.p.	Revolving arm	55 10 097			since 6/80
n.p.	Angle hose connection socket	29 06 513		x	
n.p.	Revolving arm	55 10 097		x	



GS 4 / 25

Elektroteile  
Electrical parts  
Matériel électrique



## GS 4 / 25 - Electrical parts

Pos.	Designation	Part no.	4	25	Notes
1	Thermostat	31 25 013	x		tank
2	Thermostat	31 25 011		x	tank 4 poles
3	Thermostat	31 25 010	★	x	x boiler 3 poles
4	Hose clip	55 19 011	★	x	x
5	Locking nut M 14 x 1	31 25 002	★	x	x
6	Seal 14,2 x 19,9	27 09 030	★	x	x
7	Gland	31 25 001	★	x	x
8	Pressure switch	31 26 009	★	x	x also MA 42 red
9	Friction spring	31 26 016	★	x	x
10	Detergent hose NW 5 x 3	40 01 024	★	x	x per metre
11	Hose clip ø 9	28 02 102	★	x	x
12	Commutator switch	31 24 034		x	
13	Commutator key	31 24 035		x	also drain pump
n.p.	Splash cap	31 24 116			for pos. 12+13
n.p.	Individual lamp	31 08 017		x	
14	Contacteur	31 04 034	★		x for pump
15	Mini-contacteur	31 04 068	★		x since 2/82
16	Terminal strip 13 sections	55 19 070	★	x	x
17	Terminal strip 3 sections	31 09 011	★	x	
n.p.	Series terminal	31 09 010	★		x
18	Earth terminal	31 09 059	★	x	
19	Fuse base	31 11 046	★		x
20	Fuse base	31 11 057	★	x	
21	Fuse insert 6,3 A.	31 11 043	★	x	x
n.p.	Fuse insert 0,16 A.	31 11 044		x	for dispenser
22	Blanking cap	31 11 048	★	x	x
23	Locking button with spring	55 19 036	★	x	x blue, new
24	Control switch plate	28 03 042			x
25	Control switch	31 24 180	★		x
26	Double pilot light	31 08 011	★		x
27	Double pilot light	31 08 011			x for older machines
28	Programme plate	28 03 015	★		x
n.p.	Micro switch (limit switch)	55 19 024			x since 12/79
n.p.	Contact spring	55 28 502			x since 12/79
n.p.	Cover for electric parts, plastic	35 01 508			x
n.p.	Wiring loom	31 23 025			x
n.p.	Button blue cpl.	55 19 036	★		x
n.p.	On/off switch	31 24 180			x
n.p.	Programme switch	55 28 211			
n.p.	Programme switch with fixing templet	31 05 100			also see MA 5

**GS 4 / 25**

**Türe, Rahmen, Verkleidung**  
**Door, frame, panel**  
**Porte, cadre, habillage**

